

### TOOL CHARACTERISTICS

HEIGHT	WIDTH	LENGTH	WEIGHT
159 mm.	42 mm.	222 mm.	0.840 Kg.
MIN-MAX WORKING PRESSURE		60 / 100 PSIG 4 / 7 BAR	
AIR CONSUMPTION PER SHOT		PERFORMANCES AT 90 psi ( 0.62 Mpa ) 0.28 l.	
LUBRICANT		BCNZ617 500 ml.	

### FASTENER DATA

A) OUTSIDE CROWN	11.20 mm.
B) INSIDE CROWN	10.00 mm.
CxD) WIRE	0.55 x 0.75 mm.
L) LENGTH	8 - 16 mm.
MAGAZINE CAPACITY	180 staples

* ACTUATION SYSTEM	5 ( SAFETY : NO )
--------------------	-------------------

* LOADING	<input checked="" type="checkbox"/> BOTTOM LOADING
	<input type="checkbox"/> SIDE LOADING
	<input type="checkbox"/> TOP LOADING
	<input type="checkbox"/> COIL
	<input type="checkbox"/> OTHER

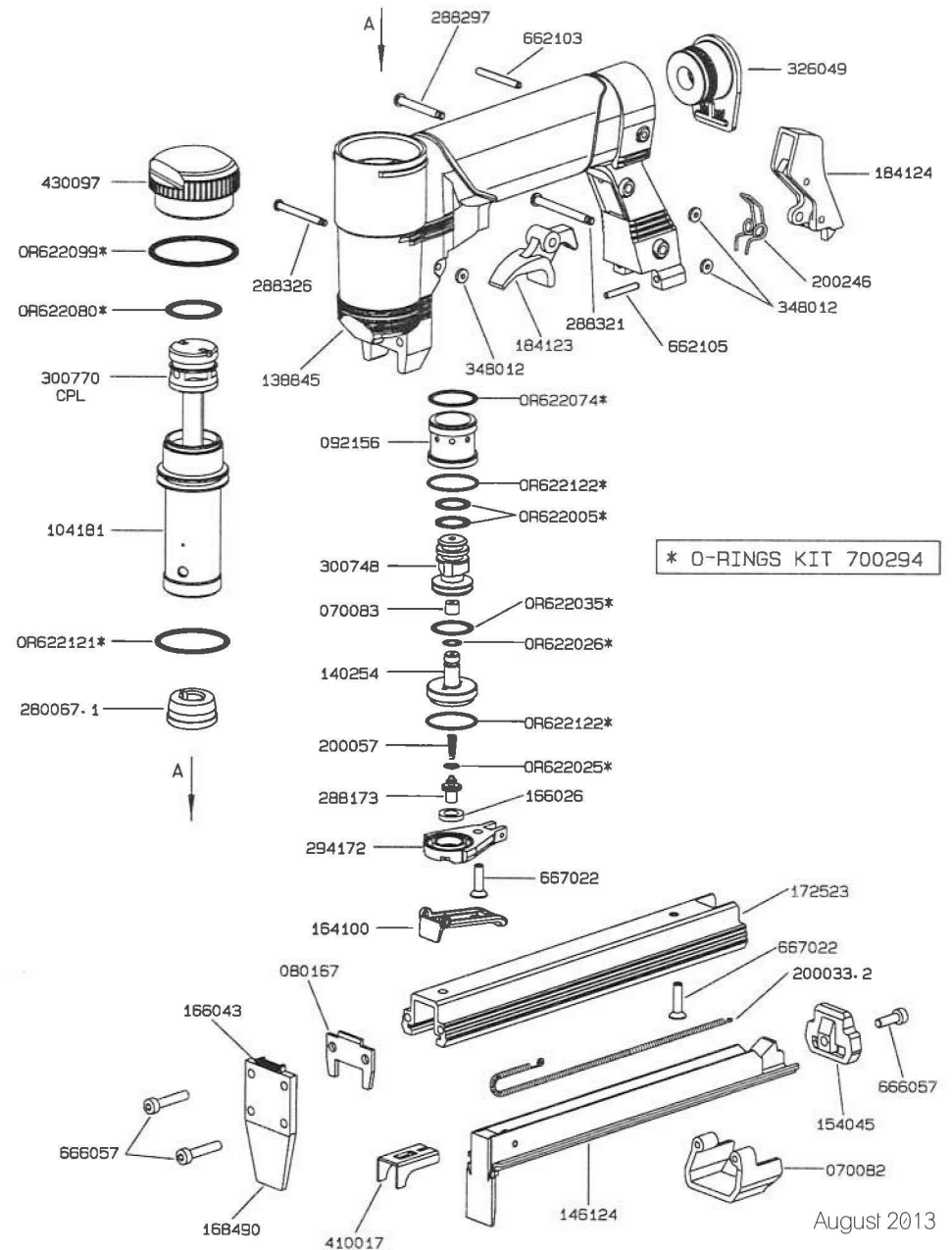
\* SEE INSTRUCTION MANUAL

NOISE CHARACTERISTICS	EN 12549+A1:2008	$L_{WA,1s}$ , :92.12 dB(A) - $K_{WA,1s}$ , 2.5
	EN ISO 4871:2009	$L_{pA,1s}$ , :81.30 dB(A) - $K_{pA,1s}$ , 2.5

VIBRATION VALUE	UNI ISO/TS 8662-11 IS BELOW THE DECLARATION LIMIT SET BY UNI EN ISO 12100-1/2
-----------------	---

Code/Codice	RSP	Qty/Qtà	Description/Descrizione
000070082		1	BUFFER
000070083		1	BUFFER
000080167		1	REST
000092156		1	BUSH
000104181		1	CYLINDER
000138845		1	BODY
000140254		1	TRIGGER
000146124		1	SLIDER
000154045		1	ADAPTER
000164100		1	TRIGGER
000166026	R	1	GASKET
000166043		1	GASKET
000168490		1	PLATE
000172523		1	LOADER
000184123		1	CATCH
000184124		1	CATCH
000200033.2	R	1	SPRING
000200057	R	1	SPRING
000200246	R	1	SPRING
000280067.1	R	1	BUMPER
000288173		1	STUD
000288297		1	PIN
000288321		1	PIN
000288326		1	PIN
000294172		1	PLATE
000300748		1	PISTON
000300770	R	1	DRIVER PISTON
000326049		1	ADAPTER
000348012		3	SPACER
000410017	R	1	PUSHER
000430097		1	CAP
000622005	R	2	O-RING
000622025	R	1	O-RING
000622026	R	1	O-RING
000622035	R	1	O-RING
000622074	R	1	O-RING
000622080	R	1	O-RING
000622099	R	1	O-RING
000622121	R	1	O-RING
000622122	R	2	O-RING
000662103	R	1	PIN
000662105	R	2	PIN
000666057	R	5	SCREW
000667022	R	2	SCREW
000700294	R	1	O-RINGS KIT

R=Recommended spare parts



August 2013